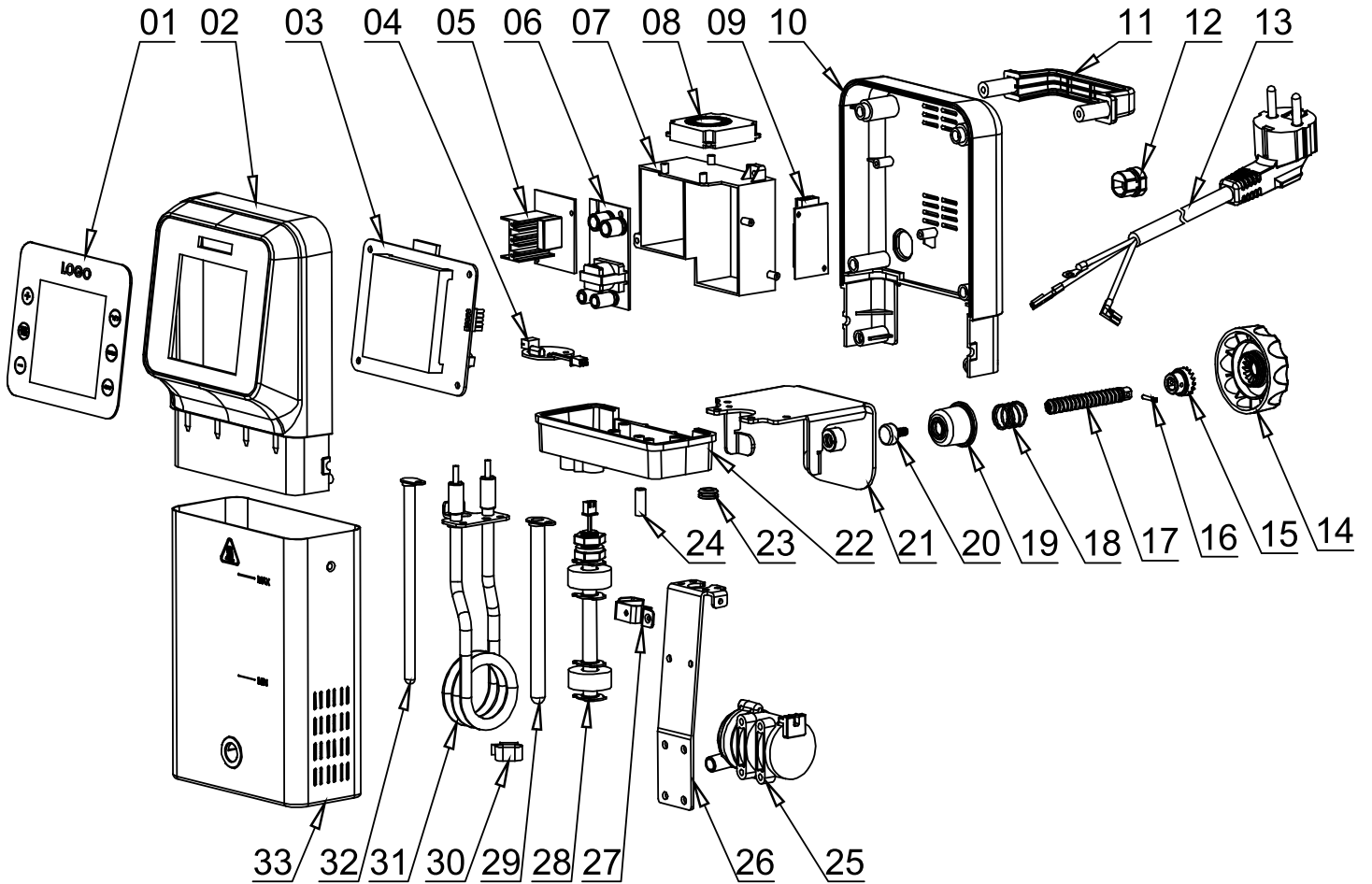


Parts Breakdown

Model CE-CN-0110 44376



Parts Breakdown

Model CE-CN-0110 44376

Item No.	Description	Position	Item No.	Description	Position	Item No.	Description	Position
68706	Membrane Switch for 44376	1	69061	6N3-4 Wire Clip for 44376	12	69064	Wire Saddle for Pump for 44376	23
68707	Front Body for 44376	2	69062	Power Cord for 44376	13	69065	Ground Connecting Pipe for 44376	24
68708	Control PCB for 44376	3	68713	Fixed Handle for 44376	14	68721	Submerged Pump for 44376	25
69057	Pump Control Panel for 44376	4	68714	Screw Gear for 44376	15	69066	Fixing Board for Pump for 44376	26
68709	Power Board for 44376	5	68715	Locating Pin for 44376	16	69067	Fixing Board for Water Level Switch for 44376	27
68710	Main Board for 44376	6	68716	Screw for Fixed Handle for 44376	17	69068	Water-Level Switch for 44376	28
69058	Circuit Board Box for 44376	7	68717	Spring for Fixed Handle for 44376	18	68722	Safe Tube for 44376	29
68711	Fan for 44376	8	68718	Gear Gland for 44376	19	69069	Hose Clamp for 44376	30
69059	WIFI Control Panel for 44376	9	68719	Rubber Blanket for Fixed Handle for 44376	20	68723	Heater for 44376	31
68712	Back Body for 44376	10	68720	Stainless Steel Clamp Assembly for 44376	21	68724	Temperature Probe for 44376	32
69060	Handle for 44376	11	69063	Fixing Board for Heater for 44376	22	69070	Stainless Steel Housing Assembly for 44376	33